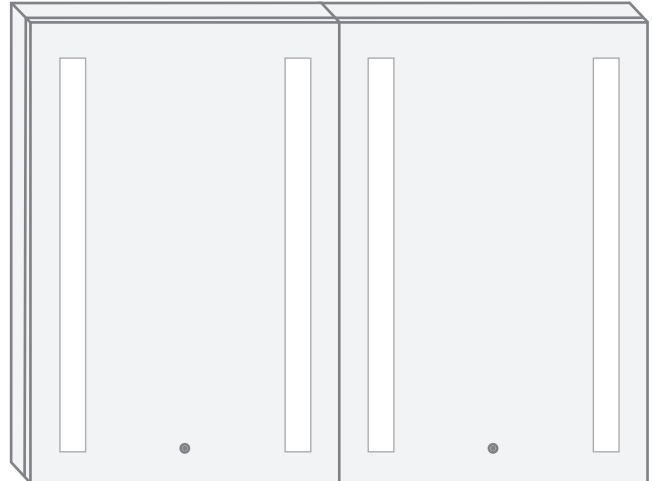


Features

- Dimmable LED task lighting
- Integrated touch sensor control with memory
- Energy efficient LED lighting 5000K
- 1420 Lumens
- CRI 90+
- Integrated Defogger

Construction

- Quality polished edge mirror
- Single phase wire installation
- 5 MM Silver Backed Copper Free
- Installation Either Surface Mount (Side Mirror Trim Panels included) or Recessed
- Includes installation hardware



Codes/Standards Applicable

- Conforms to UL Std. 962
- Cert. to CSA Std. C22.2 No.250.0-08
- ETL Intertek 5004931

Electrical System

Requirements for each cabinet:

- 120Vac, 60Hz, 32W
- Electric Current: 0.27A
- Wattage: 32W

Model

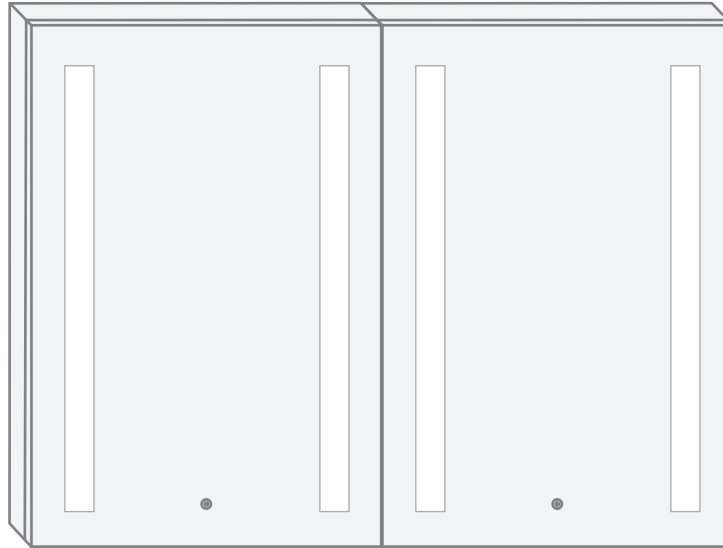
- Kinetic 4030D Right & Left Swinging Door
- Included models in this configuration:
Cabinet 1=2030L Cabinet 2=2030R

Outlet

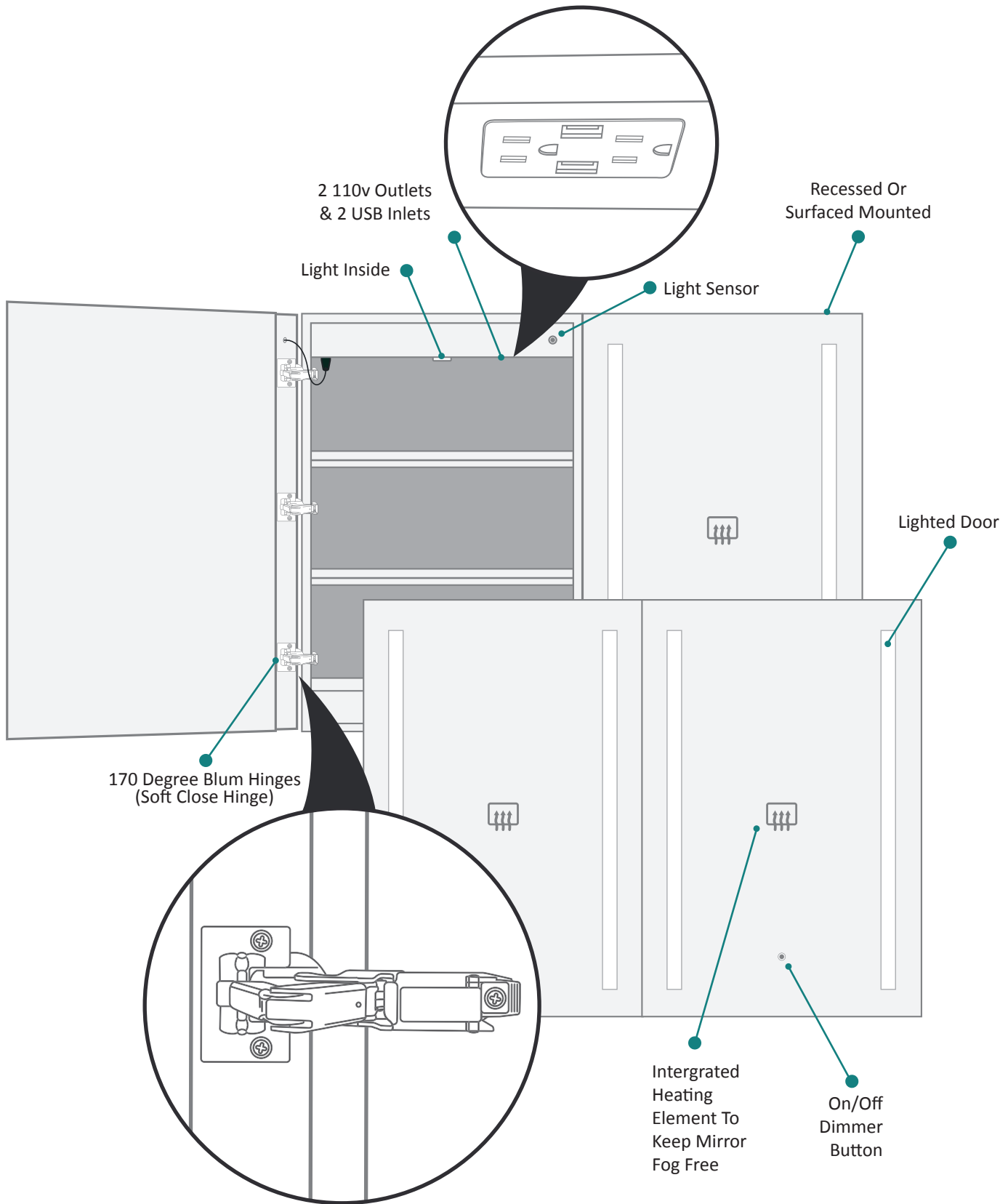
- Performance Requirements: Contains the required Supervisory Circuit with the Auto-Monitoring Function as noted by UL 1310
- Input Voltage: Min 112Vac, Nom 125Vac, Max 137Vac
- Frequency: 60Hz
- Front Receptacle Current: 102-132VAC Nominal 15A
- USB Output Current: 5VDC Nominal 4A

CABINET CONFIGURATION

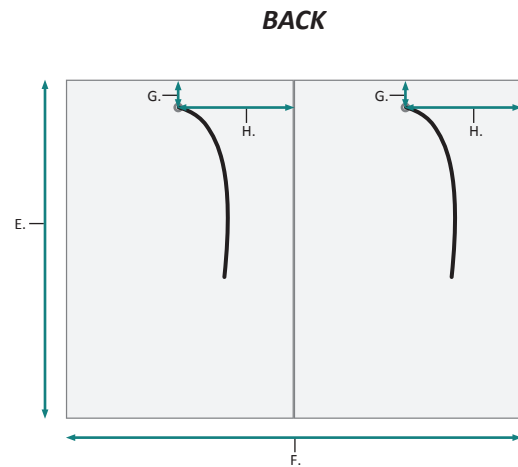
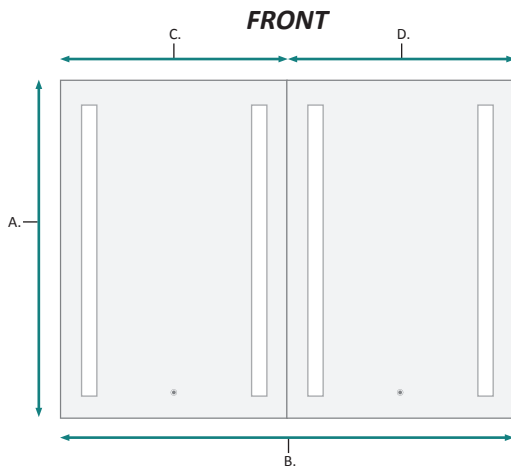
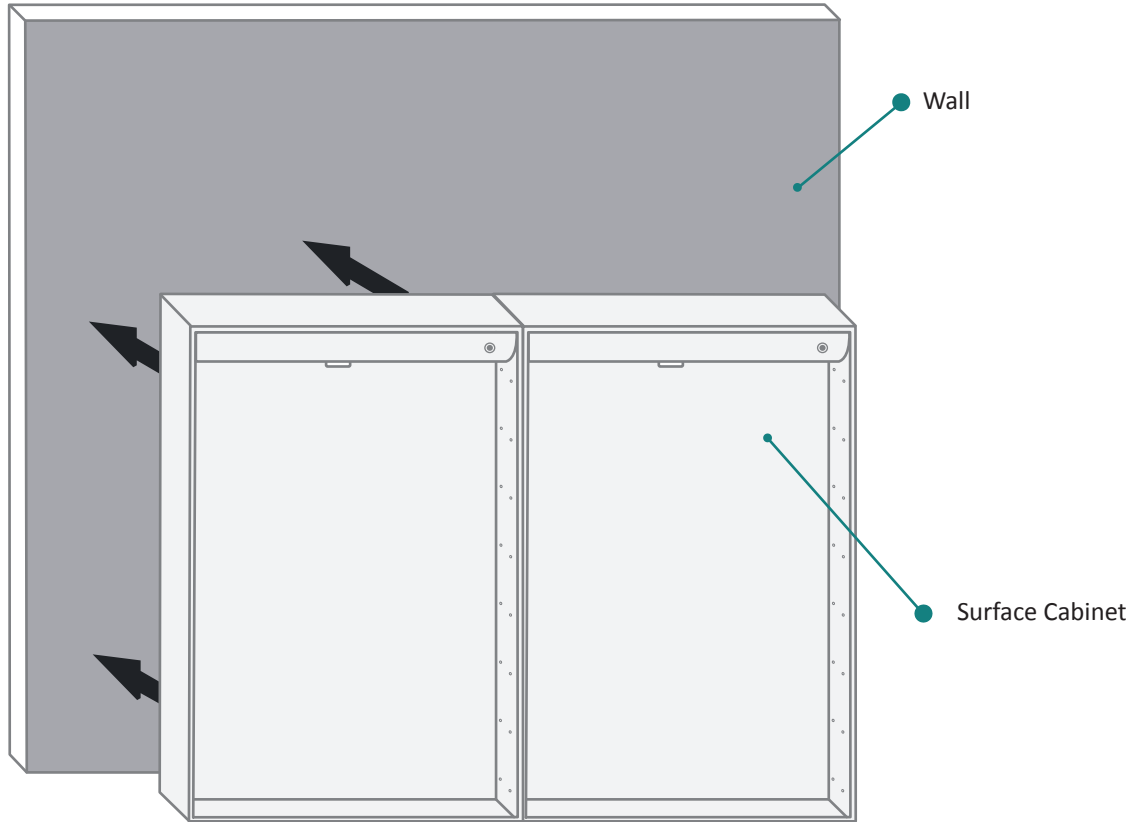
- Included models in this configuration:
Cabinet 1 = 2030L Cabinet 2=2030R



KINETIC 4030D LED Medicine Cabinet - Specification Sheet



SURFACE MOUNT

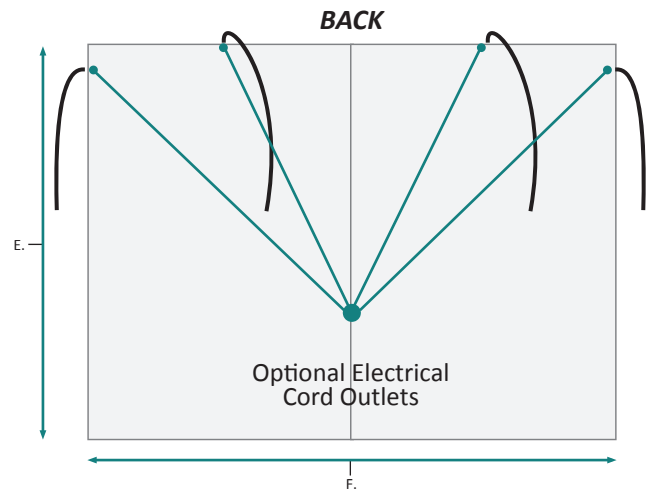
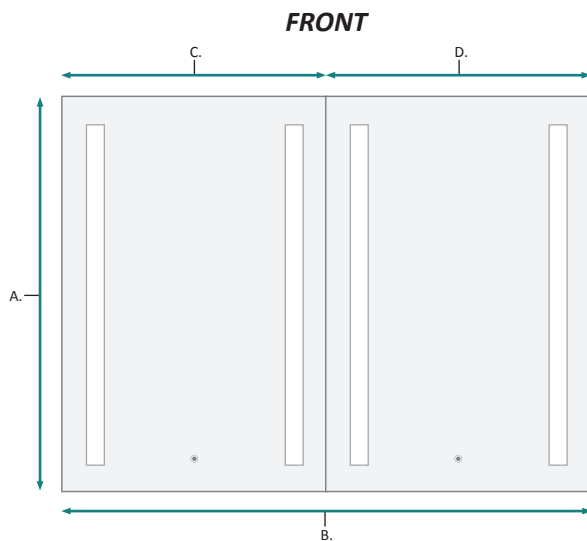
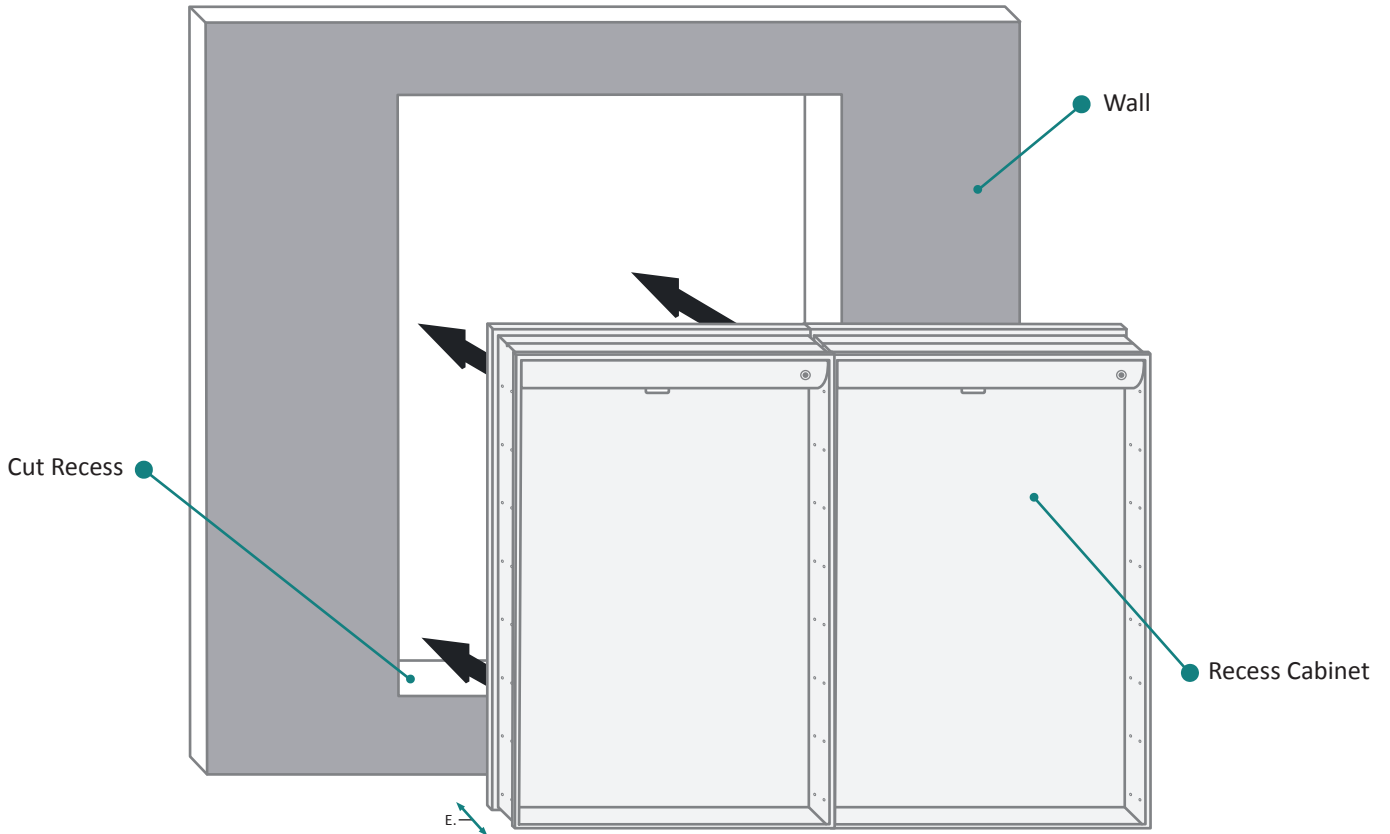


FRONT & BACKS

MODEL	A	B	C	D	E	F	G	H
KINETIC4030D	30	40	20	20	29-1/8	38-1/4	1-1/8	9-1/4

These measurements are for reference, for best results we suggest you measure actual product as small variations in size are possible

RECESS MOUNT

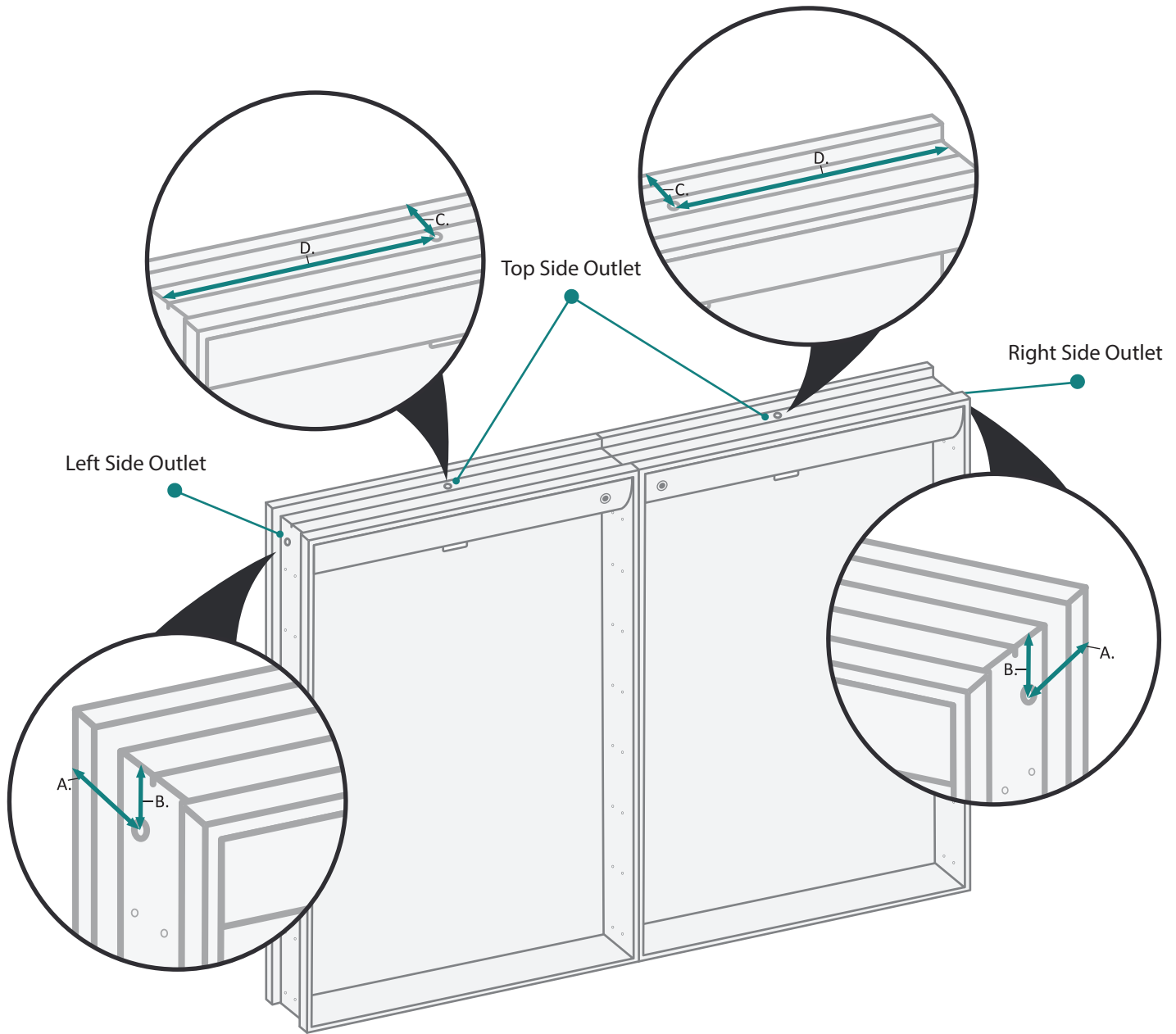


FRONT & BACK

MODEL	A	B	C	D	E	F	G
KINETIC4030D	30	40	20	20	29-1/8	38-1/4	3-7/8

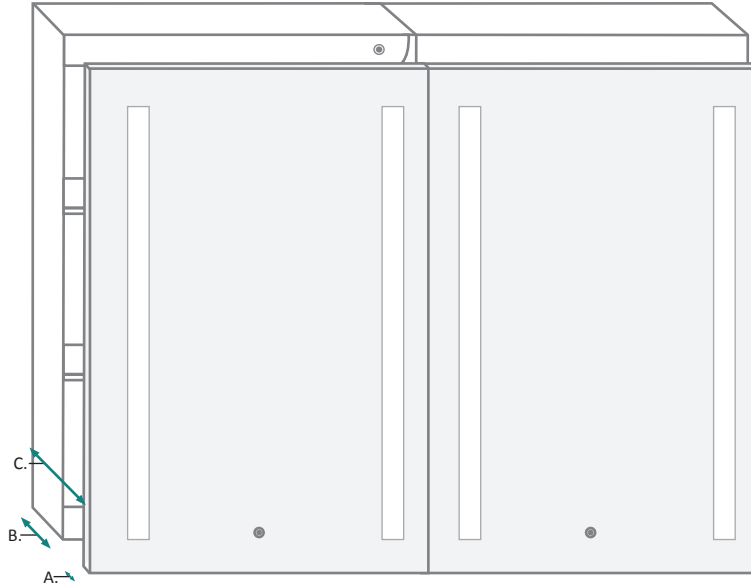
These measurements are for reference, for best results we suggest you measure actual product as small variations in size are possible

RECESS INSTALLATION OPTIONAL ELECTRICAL CORD LOCATIONS



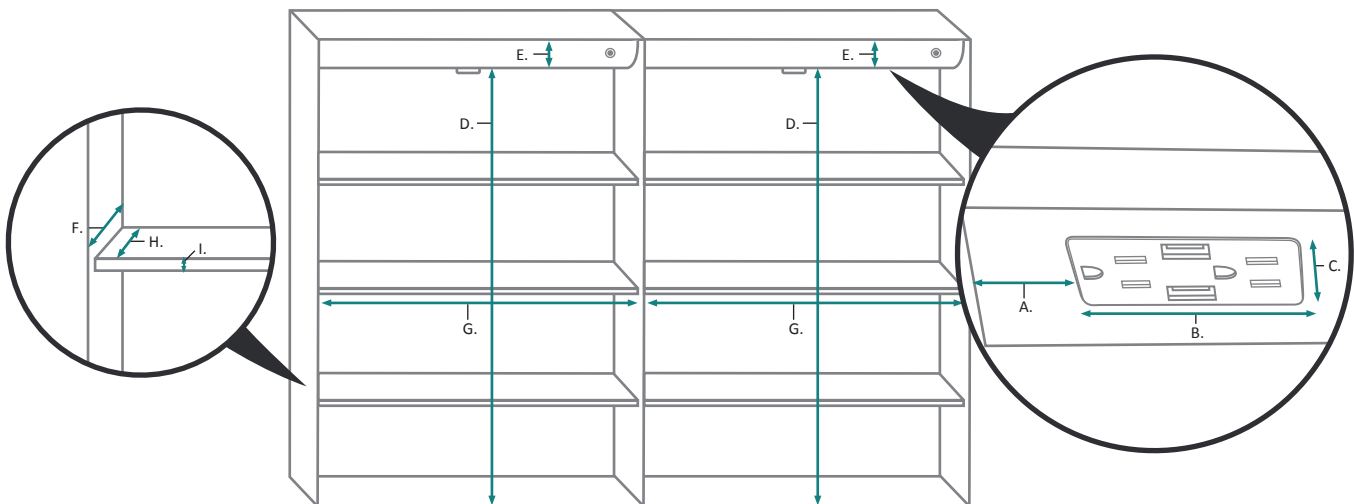
ELECTRICAL CORD LOCATIONS

MODEL	A	B	C	D
KINETIC4030D	1-1/8	1-1/8	1-1/8	12



DOOR & CABINET

MODEL	A	B	C
KINETIC4030D	7/8	3-7/8	4-3/4



INTERIOR CABINET

MODEL	A	B	C	D	E	F	G	H	I
KINETIC4030D	3-3/4	5-5/8	1-1/4	26-1/4	2-1/4	3-5/8	18-1/4	2-3/8	3/8

These measurements are for reference, for best results we suggest you measure actual product as small variations in size are possible